

SLG In-line Sight Glass

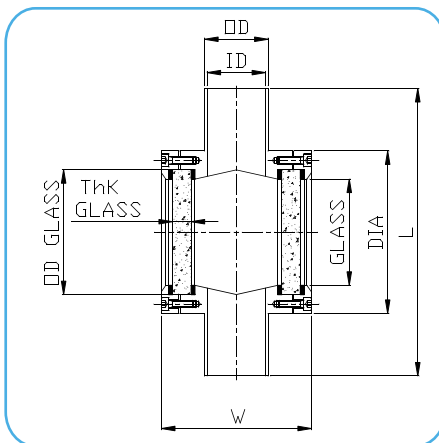


This see-through model has a compact double window design, suitable for a wide range of applications in high purity tubing systems.

It can be installed in any position to observe fluid flow.

Can be clamp connected or welded onto a piping system to offer clear process visibility.

Suitable for installation on process lines of Pharmaceutical, Food & Beverage, Cosmetics, Dairy and Fine Chemicals plants.



CODE 2V	OD mm	ID	L mm	W mm	DIA mm	Glass mm	Borosilicate glass		P MAX bar	T MAX
							OD	Thk		
SLG-200BGBG...-G-T-81A	12.7	9.4	190	77	90	50	60	10	16	250°C
SLG-200HBH...-G-T-81A	19.05	15.75	190	77	90	50	60	10	16	250°C
SLG-200BJBJ...-G-T-81A	25.4	22.1	190	77	90	50	60	10	16	250°C
SLG-300BMBM...-G-T-81A	38.1	34.8	230	120	130	85	100	15	16	250°C
SLG-300BNBN...-G-T-81A	50.8	47.5	230	120	130	85	100	15	16	250°C
SLG-300BOBO...-G-T-81A	63.5	60.2	230	150	130	85	100	15	16	250°C
SLG-300BPBP...-G-T-81A	76.2	72.9	230	150	130	85	100	15	16	250°C
SLG-300BRBR...-G-T-81A	101.6	97.4	230	180	130	85	100	15	16	250°C
SLG-500FTFT...-G-T-81A	129	125	280	212	180	125	150	20	10	250°C

Technical Information:

Tri-Clamp Connections: according to ASME BPE

Wetted stainless steel parts: AISI 316L - 1.4404

Glass Material: Borosilicate Tempered

Locking ring: AISI 316L - 1.4404

Bolts: AISI 304

Gaskets: Modified PTFE

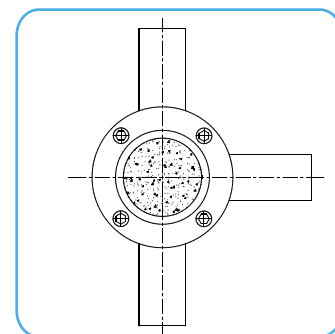
Internal Surface Finish: Ra ≤ 0.2µm → code **B1** e.g.: SLG-200BGBG...-G-T-**B1**A

Specifications:

Max Working Pressure: 16 barg

Max Working Temperature: 250°C

Marking: Each SLG In-line sight glass is marked with serial number for full lot traceability



Optional: 3 ways

Advantages :

- Clear process visibility
- High temperature and pressure resistant
- Sterilizable – Autoclavable
- Full in contact material traceability
- Suitable for sterile applications

CONFIGURATOR



Last updates can be found on our website - www.aerreinox.it

In the interests of development of the product, we reserve the right to change the specifications without prior notice

DATASHEETS

